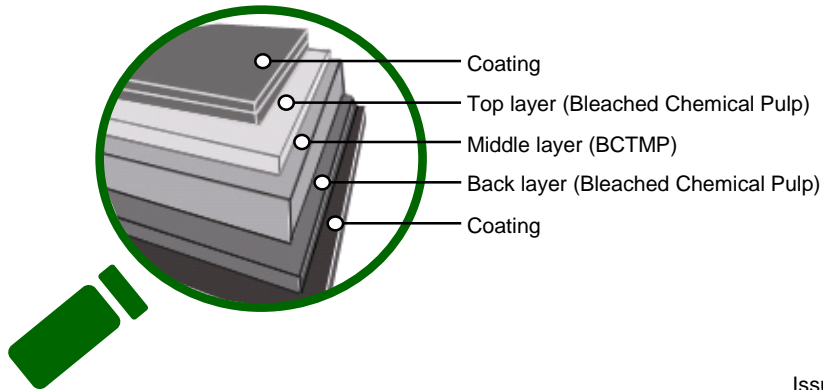


# Technical Data Sheet

## General Packaging Board (FBB/GC1)



Issued on: 03.08.2023

Property	Unit	Tolerance	Value							Standard
Grammage	g/m <sup>2</sup>	±3%	190	210	230	250	270	300	350	ISO536
Thickness	µm	±4%	245	275	305	335	360	405	485	ISO534
Moisture	%	±1.0	7.0	7.0	7.0	7.0	7.0	7.5	7.5	ISO287
Stiffness Taber 15° MD	mN.m	-15%	4.2	5.6	7.5	9.5	11.5	15.2	22.0	ISO2493
Stiffness Taber 15°CD	mN.m	-15%	2.0	2.8	3.8	4.7	5.7	7.6	11.0	ISO2493
Top Cobb (60s)	g/m <sup>2</sup>	≤	40	40	40	40	40	40	40	ISO535
Back Cobb (60s)	g/m <sup>2</sup>	≤	80	80	80	80	80	80	80	ISO535
Top Brightness	%	±3	91	91	91	91	91	91	91	ISO2470
Gloss75°	%	±10	50	50	50	50	50	50	50	ISO8254
Surface Roughness PPS10	µm	Max1.5	1.0	1.0	1.0	1.0	1.0	1.0	1.0	ISO8791
Surface Strength	m/s	≥	1.2	1.2	1.2	1.2	1.2	1.2	1.2	ISO3783
Scott Bond	J/m <sup>2</sup>	Min110	150	150	150	150	150	150	150	TAPPI T569

All properties are tested according to ISO and TAPPI Standard

Laboratory test climate 23°C/50% RH (According to ISO 187).

All specifications mentioned above may be subject to technical changes